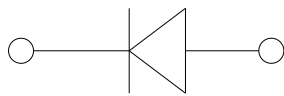
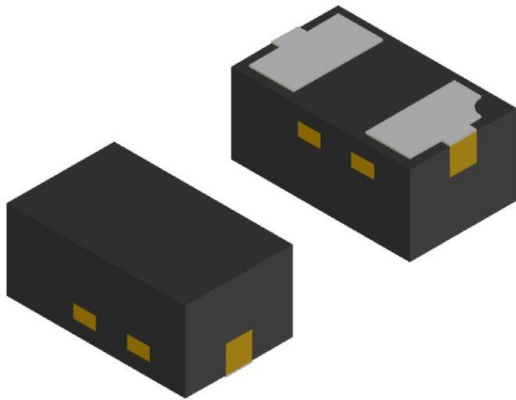


Small Signal Schottky Diode



Features

- Low Forward Voltage
- Epoxy Meets UL 94 V-0 Flammability Rating
- High Conductance
- Lead Free Finish/RoHS Compliant
- Small package saves board space
- Moisture Sensitivity Level 3
- V_R 30V
- I_{FAV} 200mA

Mechanical Data

- **Package:** DFN1006-2L
- **Terminals:** Tin plated leads, solderable per J-STD-002 and JESD22-B102
- **Polarity:** Cathode line denotes the cathode end
- **Marking:** E1

■Maximum Ratings ($T_a=25^\circ\text{C}$ Unless otherwise specified)

| Item | Symbol | Unit | Conditions | Limit Max |
|-----------------------------------|-----------|------------------|----------------------------------|-------------|
| Power Dissipation | P_D | mW | | 100 |
| Storage Temperature | T_{STG} | $^\circ\text{C}$ | | -40 to +125 |
| Junction Temperature | T_J | $^\circ\text{C}$ | | 125 |
| DC Reverse Voltage | V_R | V | | 30 |
| Average Rectified Forward Current | I_{FAV} | mA | | 200 |
| Peak Forward Surge Current | I_{FSM} | A | 8.3ms single half sine-wave | 1.0 |
| Repetitive Peak Forward Current | I_{FRM} | A | $t_p=1\text{ms}$, $\delta=0.25$ | 0.5 |

■Electrical Characteristics ($T_a=25^\circ\text{C}$ Unless otherwise specified)

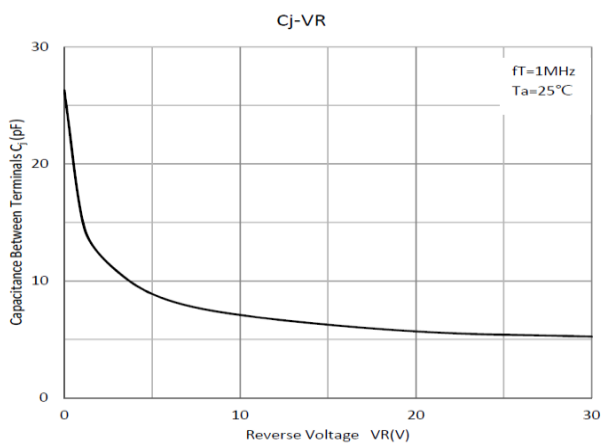
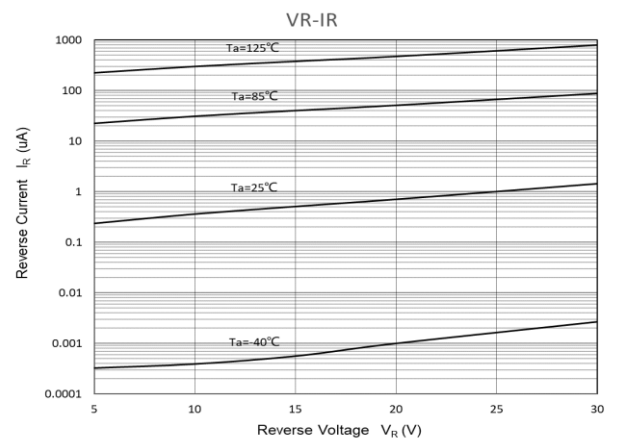
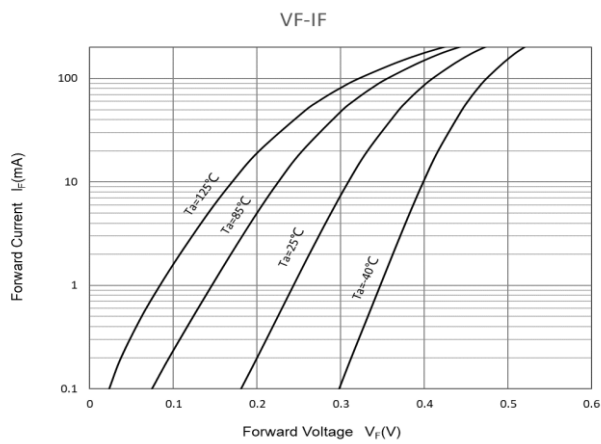
| Item | Symbol | Unit | Conditions | Min | Max |
|-------------------------|--------|---------------|----------------------|-----|-----|
| Breakdown Voltage | V_R | V | $I_R=500\mu\text{A}$ | 30 | |
| Forward Voltage | V_F | V | $I_F=200\text{mA}$ | | 0.6 |
| Reverse Leakage Current | I_R | μA | $V_R=10\text{V}$ | | 1 |

■Ordering Information (Example)

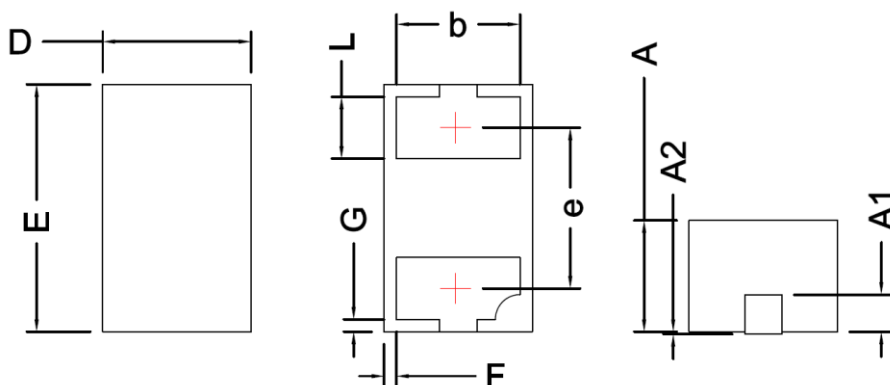
| PREFERRED P/N | UNIT WEIGHT(mg) | MINIMUM PACKAGE(pcs) | INNER BOX QUANTITY(pcs) | OUTER CARTON QUANTITY(pcs) | DELIVERY MODE |
|---------------|-----------------|----------------------|-------------------------|----------------------------|---------------|
| RB520S-30L2 | Approximate 0.9 | 10K | 100K | 400K | Tape & Reel |



■ Characteristics (Typical)

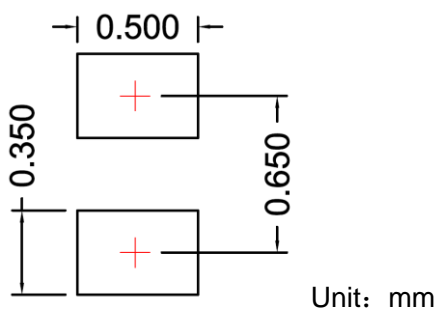


■ Outline Dimensions



| SYMBOL | MILLIMETER | | |
|--------|------------|------|------|
| | MIN | NOM | MAX |
| D | 0.50 | 0.60 | 0.70 |
| E | 0.90 | 1.00 | 1.10 |
| A | 0.35 | 0.45 | 0.55 |
| A1 | 0.15 BSC | | |
| A2 | | | 0.10 |
| F | 0.005 | | |
| G | 0.005 | | |
| L | 0.15 | 0.25 | 0.35 |
| b | 0.41 | 0.50 | 0.59 |
| e | 0.65 BSC | | |

■ Soldering Footprint





Disclaimer

The information presented in this document is for reference only. Yangzhou Yangjie Electronic Technology Co., Ltd. reserves the right to make changes without notice for the specification of the products displayed herein to improve reliability, function or design or otherwise.

The product listed herein is designed to be used with ordinary electronic equipment or devices, and not designed to be used with equipment or devices which require high level of reliability and the malfunction of which would directly endanger human life (such as medical instruments, transportation equipment, aerospace machinery, nuclear-reactor controllers, fuel controllers and other safety devices), Yangjie or anyone on its behalf, assumes no responsibility or liability for any damages resulting from such improper use of sale.

This publication supersedes & replaces all information previously supplied. For additional information, please visit our website [http:// www.21yangjie.com](http://www.21yangjie.com) , or consult your nearest Yangjie's sales office for further assistance.