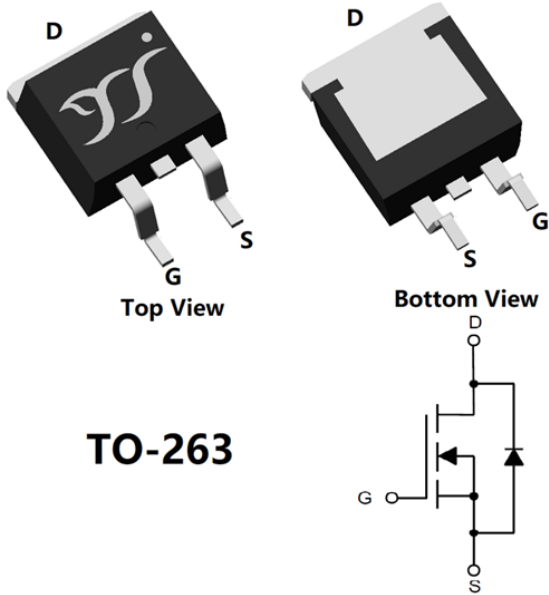


N-Channel Enhancement Mode Field Effect Transistor



TO-263

Product Summary

• V_{DS}	100V
• I_D	143A
• $R_{DS(ON)}$ (at $V_{GS}=10V$)	$<5.2m\Omega$
• $R_{DS(ON)}$ (at $V_{GS}=4.5V$)	$<7.5m\Omega$
• 100% EAS Tested	
• 100% ∇V_{DS} Tested	

General Description

- Excellent package for heat dissipation
- High density cell design for low $R_{DS(ON)}$
- Moisture Sensitivity Level 1
- Epoxy Meets UL 94 V-0 Flammability Rating
- Halogen Free

Applications

- Power switching application
- Uninterruptible power supply
- DC-DC convertor

Limiting Values

Parameter	Conditions		Symbol	Min	Max	Unit
Drain-source Voltage			V_{DS}	-	100	V
Gate-source Voltage			V_{GS}	-20	20	
Continuous Drain Current (Note 1,2)	Steady-State	$T_A=25^\circ C, V_{GS}=10V$	I_D	-	19.1	A
		$T_A=100^\circ C, V_{GS}=10V$		-	12	
Continuous Drain Current (Note 1,3)	Steady-State	$T_C=25^\circ C, V_{GS}=10V, \text{Chip limitation}$		-	143	
		$T_C=100^\circ C, V_{GS}=10V$		-	90.4	
Pulsed Drain Current	$T_C=25^\circ C, t_p \leq 10\mu s$		I_{DM}	-	572	
Maximum Body-Diode Continuous Current	$T_C=25^\circ C$		I_S		143	
Avalanche Energy (non-repetitive)	$T_J=25^\circ C, V_G=10V, R_G=25\Omega, L=0.5mH, I_{AS}=32.2A$		EAS	-	259.2	mJ
Total Power Dissipation (Note 1,2)	Steady-State	$T_A=25^\circ C$	P_D	-	3.47	W
		$T_A=100^\circ C$		-	1.38	
Total Power Dissipation (Note 1,3)	Steady-State	$T_C=25^\circ C$		-	195	
		$T_C=100^\circ C$		-	78	
Junction and Storage Temperature Range			T_J, T_{STG}	-55	150	$^\circ C$

Thermal Resistance

Parameter		Symbol	Typ	Max	Units
Thermal Resistance Junction-to-Ambient (Note 2)	Steady-State	$R_{\theta JA}$	-	36	$^\circ C/W$
Thermal Resistance Junction-to-Case	Steady-State	$R_{\theta JC}$	-	0.64	



YJB5D2G10A

■ Electrical Characteristics

Parameter	Symbol	Conditions	Min	Typ	Max	Units
Static Parameter						
Drain-Source Breakdown Voltage	BV_{DSS}	$V_{GS}=0V, I_D=250\mu A, T_j=25^\circ C$	100	-	-	V
Zero Gate Voltage Drain Current	I_{DSS}	$V_{DS}=100V, V_{GS}=0V, T_j=25^\circ C$	-	-	1	μA
		$V_{DS}=100V, V_{GS}=0V, T_j=125^\circ C$	-	-	100	
Gate-Source Leakage Current	I_{GSS}	$V_{GS}=\pm 20V, V_{DS}=0V, T_j=25^\circ C$	-	-	± 100	nA
Gate Threshold Voltage	$V_{GS(th)}$	$V_{DS}=V_{GS}, I_D=250\mu A, T_j=25^\circ C$	1.1	1.8	2.5	V
Static Drain-Source On-Resistance	$R_{DS(on)}$	$V_{GS}=10V, I_D=50A, T_j=25^\circ C$	-	4	5.2	m Ω
		$V_{GS}=4.5V, I_D=25A, T_j=25^\circ C$	-	5	7.5	m Ω
Diode Forward Voltage	V_{SD}	$I_S=50A, V_{GS}=0V, T_j=25^\circ C$	-	0.92	1.2	V
Gate Resistance	R_G	$f=1MHz, T_j=25^\circ C$	-	1.5	-	Ω
Dynamic Parameters						
Input Capacitance	C_{iss}	$V_{DS}=50V, V_{GS}=0V, f=100KHz, T_j=25^\circ C$	-	3620	-	pF
Output Capacitance	C_{oss}		-	1341	-	
Reverse Transfer Capacitance	C_{rss}		-	30	-	
Switching Parameters						
Total Gate Charge	Q_g	$V_{GS}=10V, V_{DS}=50V, I_D=50A, T_j=25^\circ C$	-	58.8	-	nC
Gate-Source Charge	Q_{gs}		-	11.9	-	
Gate-Drain Charge	Q_{gd}		-	10.6	-	
Reverse Recovery Charge	Q_{rr}	$I_F=50A, di/dt=100A/\mu s, V_{GS}=0V, V_R=50V, T_j=25^\circ C$	-	47.7	-	nC
Reverse Recovery Time	t_{rr}		-	41.6	-	ns
Turn-on Delay Time	$t_{D(on)}$	$V_{GS}=10V, V_{DS}=50V, I_D=50A, R_{GEN}=3\Omega, T_j=25^\circ C$	-	15.1	-	ns
Turn-on Rise Time	t_r		-	17.2	-	
Turn-off Delay Time	$t_{D(off)}$		-	47.6	-	
Turn-off Fall Time	t_f		-	17	-	

Note:

- The entire application environment impacts the thermal resistance values shown, they are not constants and are only valid for the particular conditions noted.
- The value of $R_{\theta JA}$ is measured with the device mounted on the 40mm*40mm*1.1mm single layer FR-4 PCB board with 1 in² pad of 2oz. Copper, in the still air environment with $T_A=25^\circ C$. The maximum allowed junction temperature of 150 $^\circ C$. The value in any given application depends on the user's specific board design.
- Thermal resistance from junction to soldering point (on the exposed drain pad).



YJB5D2G10A

Typical Electrical and Thermal Characteristics Diagrams

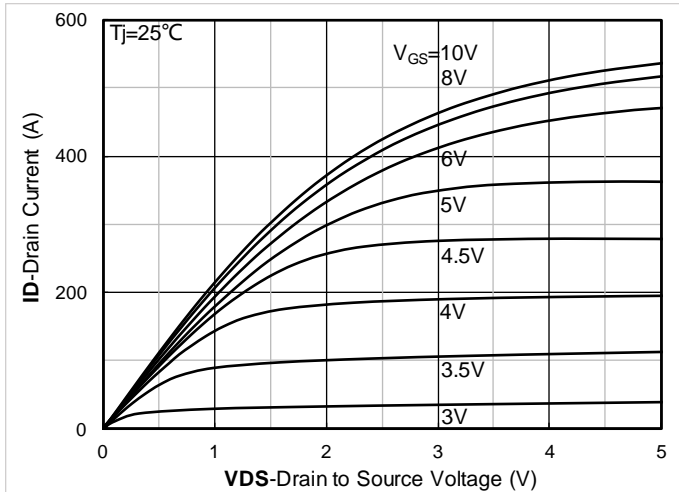


Figure 1. Output Characteristics; typical values

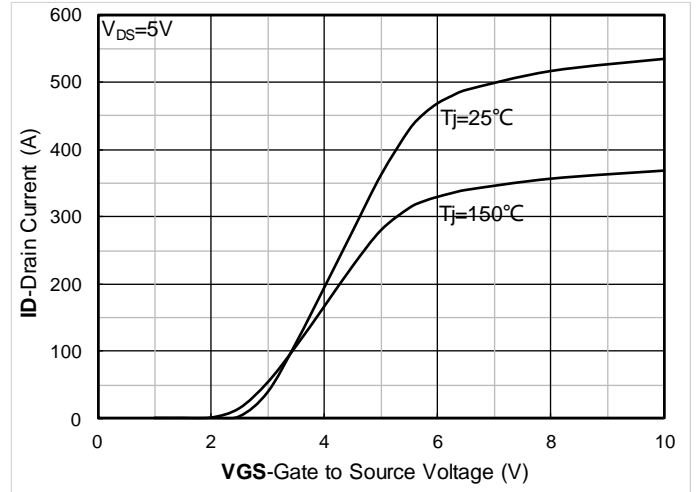


Figure 2. Transfer Characteristics; typical values

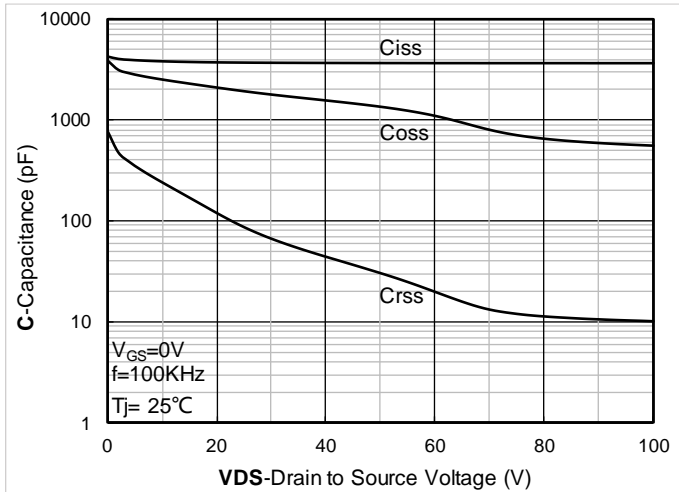


Figure 3. Capacitance Characteristics; typical values

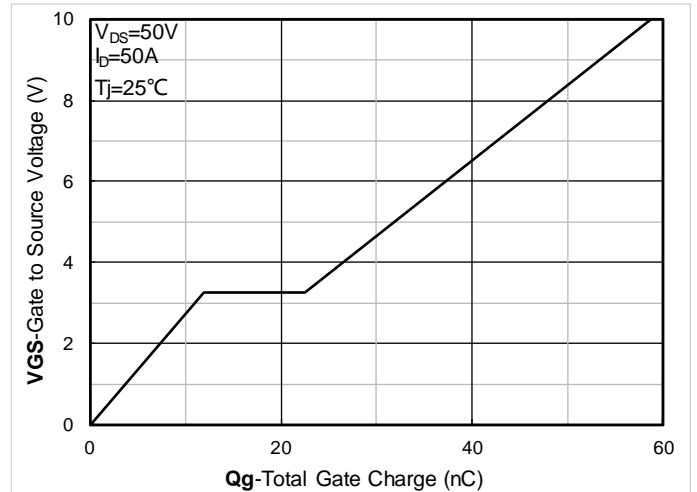


Figure 4. Gate Charge; typical values

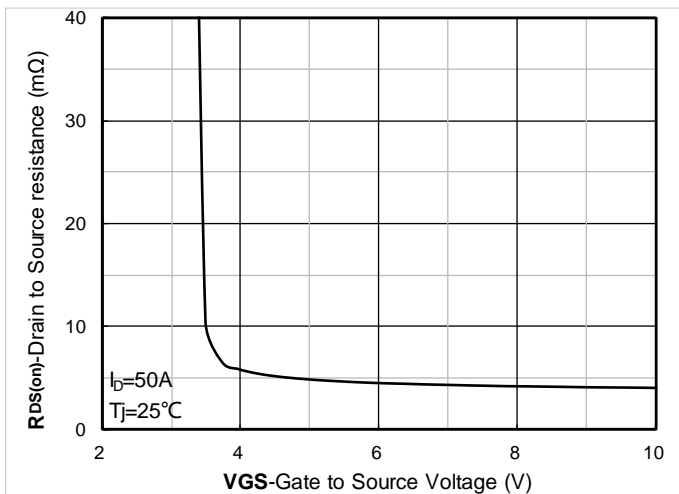


Figure 5. On-Resistance vs. Gate to Source Voltage; typical values

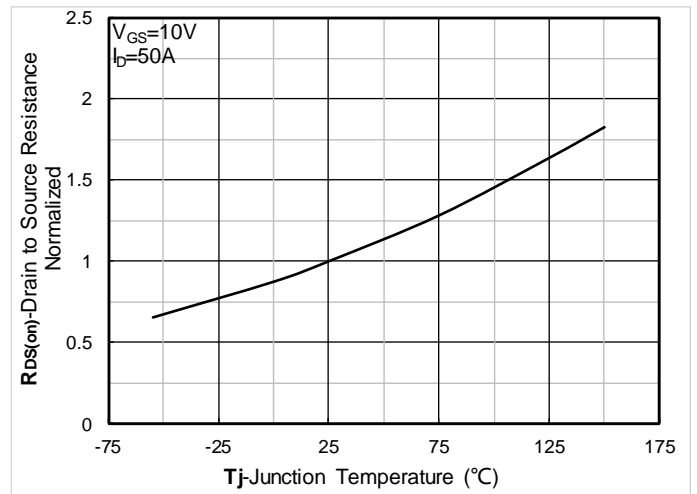


Figure 6. Normalized On-Resistance



YJB5D2G10A

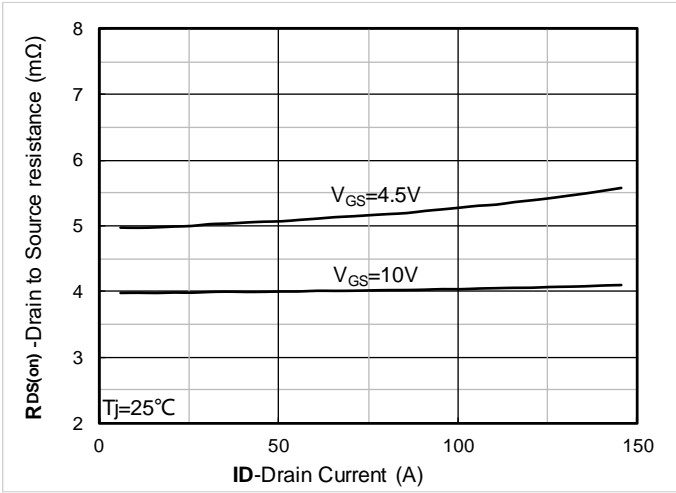


Figure 7. RDS(on) vs. Drain Current; typical values

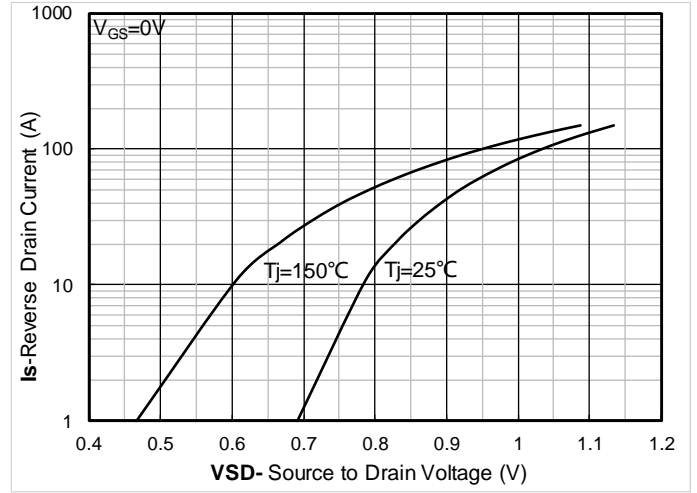


Figure 8. Forward characteristics of reverse diode; typical values

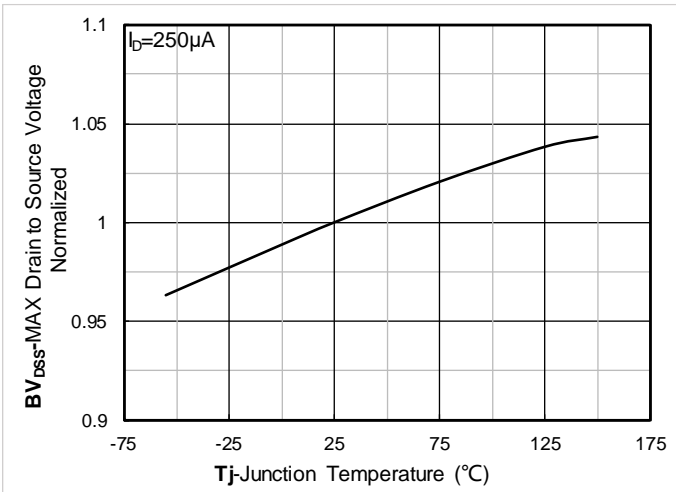


Figure 9. Normalized breakdown voltage

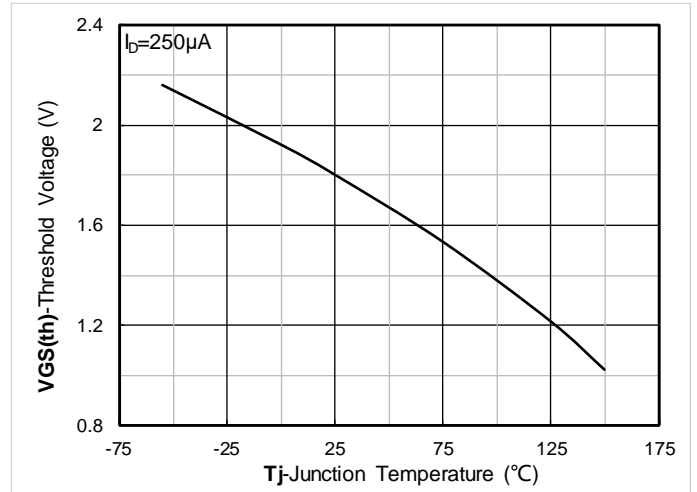


Figure 10. Gate Threshold voltage; typical values

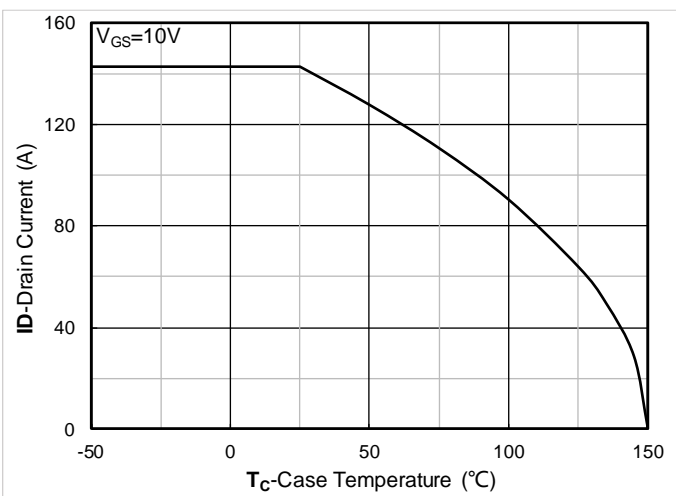


Figure 11. Current dissipation

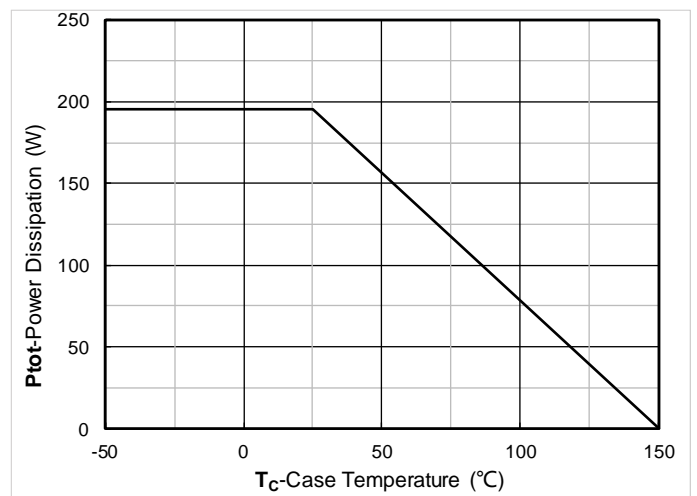


Figure 12. Power dissipation



YJB5D2G10A

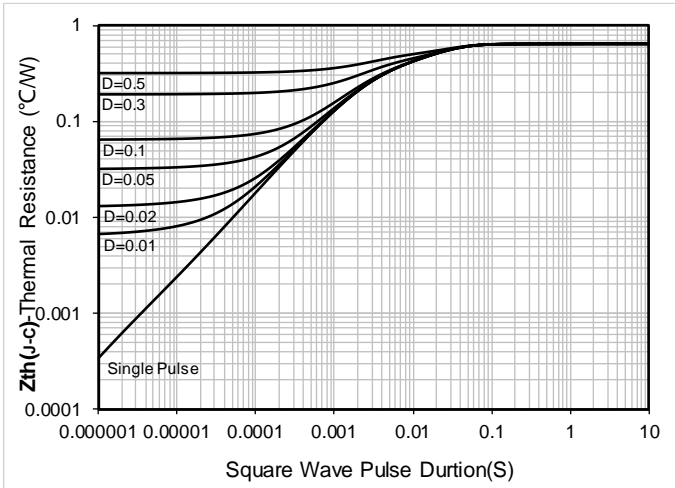


Figure 13. Maximum Transient Thermal Impedance

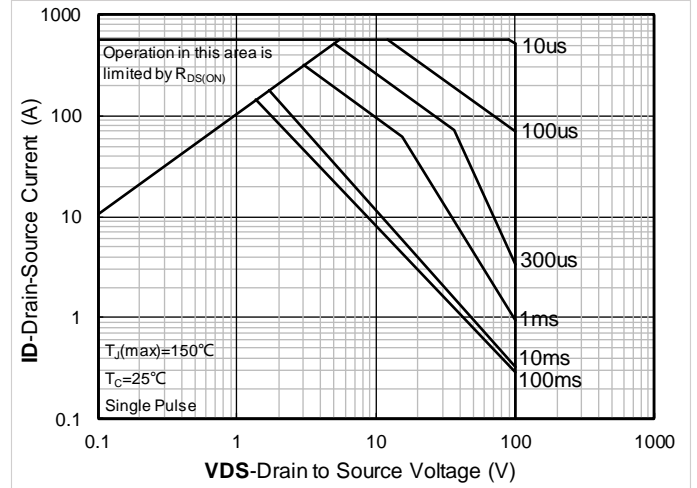


Figure 14. Safe Operation Area

■ Test Circuits & Waveforms

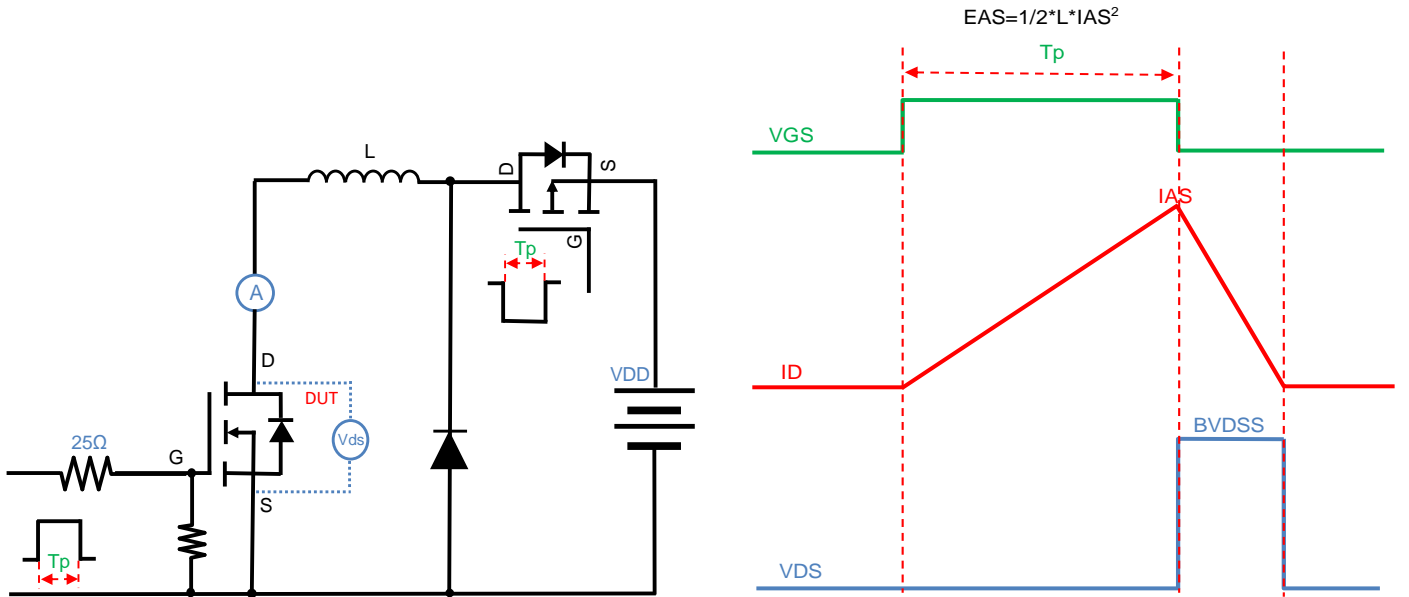


Figure A. Unclamped Inductive Switching (UIS) Test Circuit & Waveform

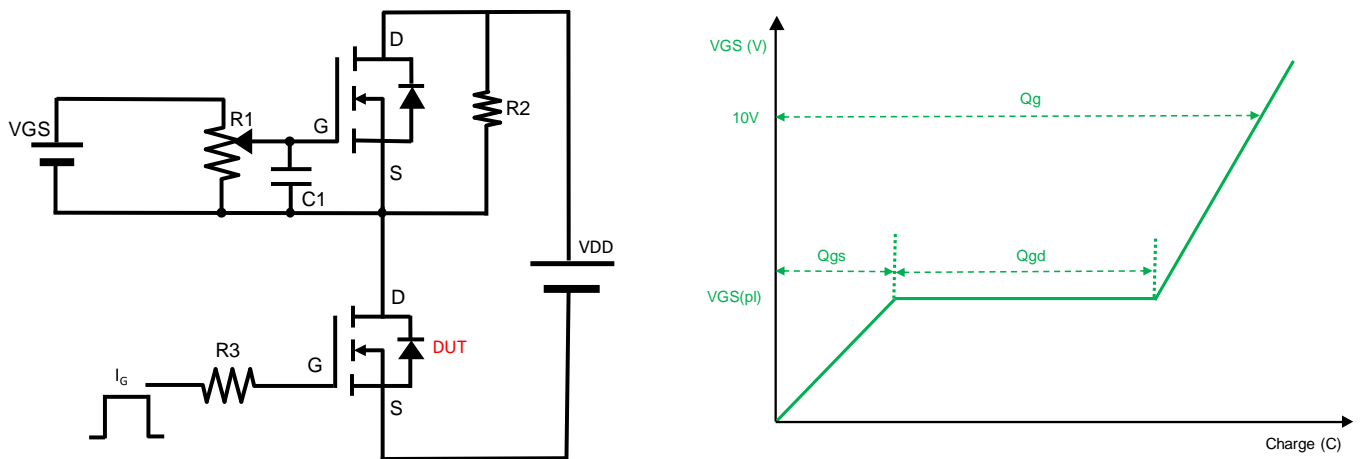


Figure B. Gate Charge Test Circuit & Waveform

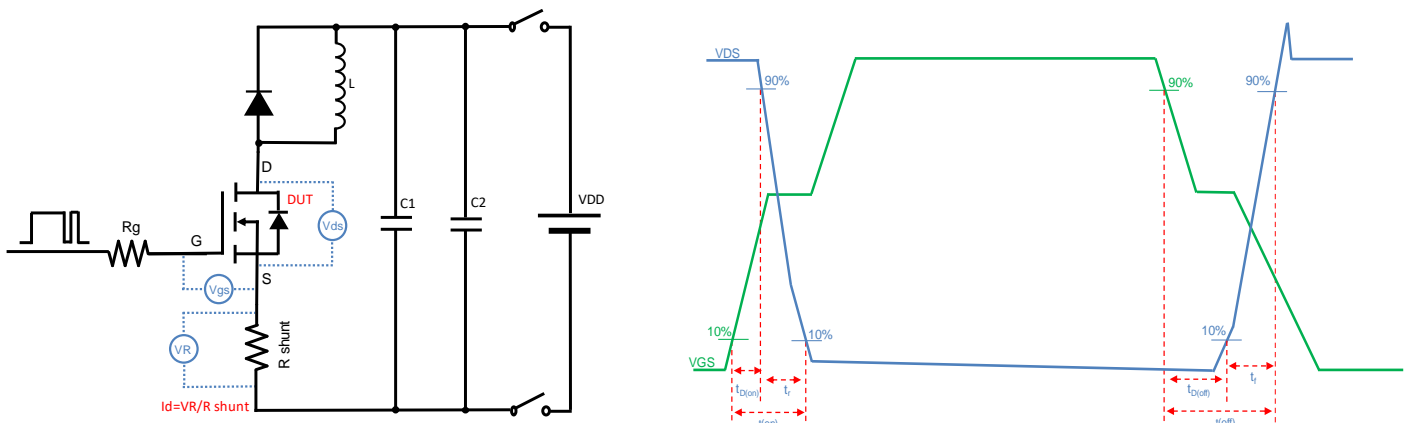


Figure C. Resistive Switching Test Circuit & Waveform

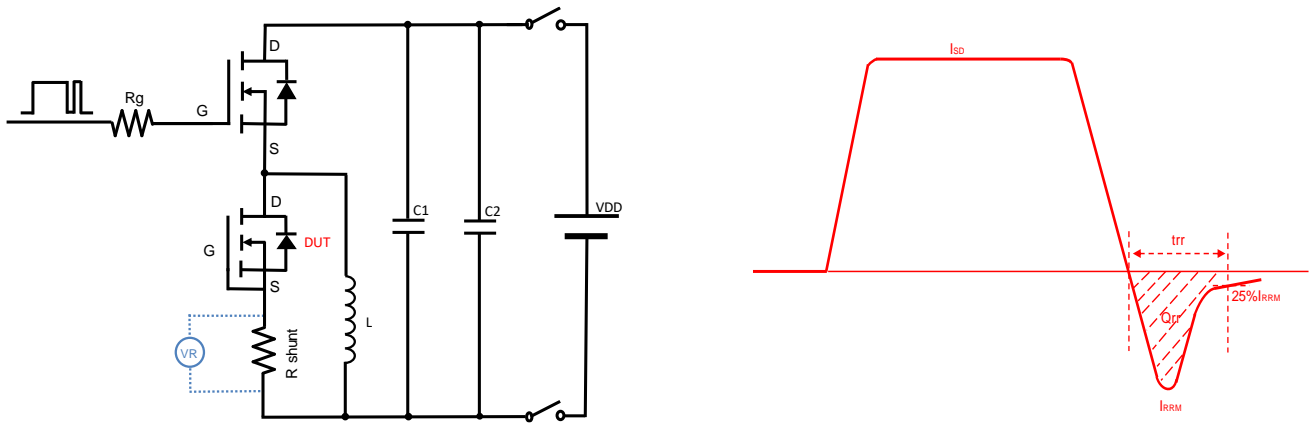
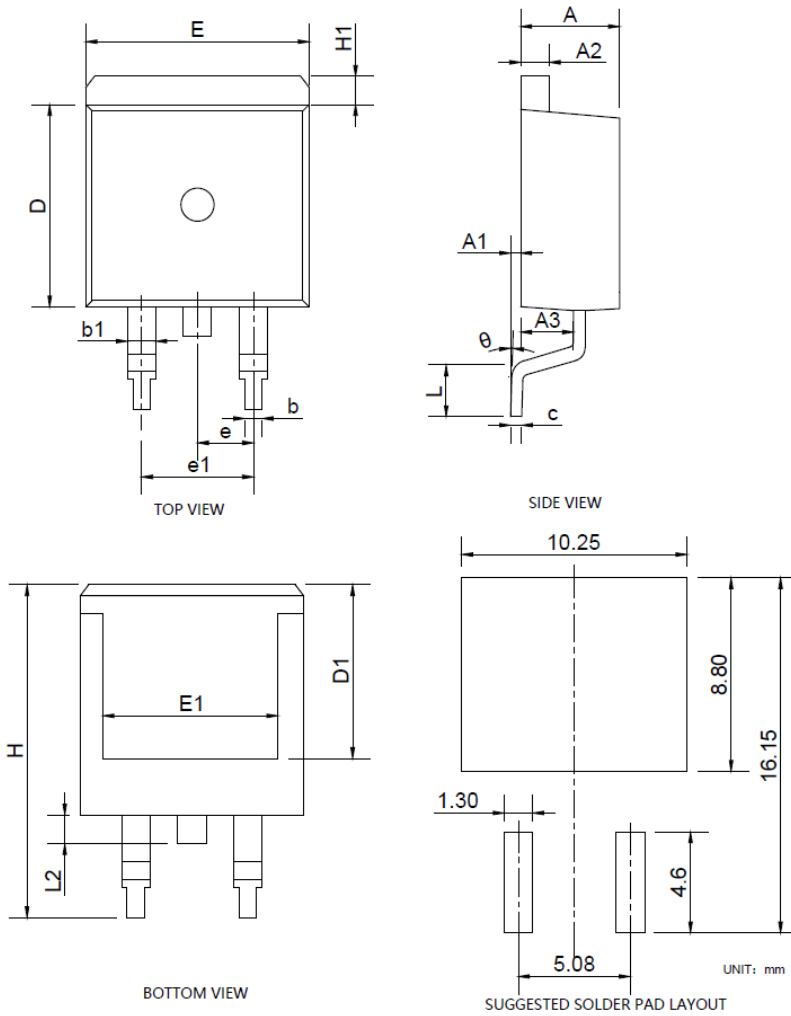


Figure D. Diode Recovery Test Circuit & Waveform



YJB5D2G10A

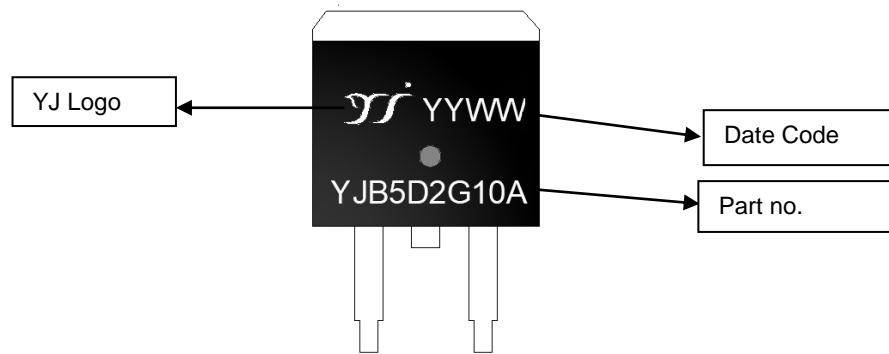
■ TO-263-D Package information



SYMBOL	DIMENSIONS			
	INCHES		MILLIMETER	
	MIN.	MAX.	MIN.	MAX.
A	0.171	0.183	4.350	4.650
A1	0.000	0.008	0.000	0.200
A2	0.048	0.054	1.220	1.380
A3	0.089	0.100	2.250	2.550
b	0.028	0.035	0.700	0.900
b1	0.046	0.057	1.180	1.440
c	0.017	0.023	0.420	0.580
D	0.356	0.368	9.050	9.350
D1	0.311 REF.		7.900 REF.	
E	0.386	0.403	9.800	10.240
E1	0.302	0.325	7.660	8.260
e	0.100 BSC		2.540 BSC	
e1	0.200 BSC		5.080 BSC	
H	0.585	0.608	14.850	15.450
H1	0.043	0.058	1.080	1.480
L	0.080	0.096	2.030	2.430
L2	0.043	0.059	1.100	1.500
θ	0°	8°	0°	8°

NOTE:
 1. PACKAGE BODY SIZES EXCLUDE MOLD FLASH AND GATE BURRS.
 2. TOLERANCE 0.1mm UNLESS OTHERWISE SPECIFIED.
 3. THE PAD LAYOUT IS FOR REFERENCE PURPOSES ONLY.

■ Marking Information



Note:

1. All marking is at middle of the product body
2. All marking is in laser printing
3. YJB5D2G10A is part no., YYWW is date code, "YY" is year, "WW" is week
4. Body color: Black



YJB5D2G10A

Disclaimer

The information presented in this document is for reference only. Yangzhou Yangjie Electronic Technology Co., Ltd. reserves the right to make changes without notice for the specification of the products displayed herein to improve reliability, function or design or otherwise.

The product listed herein is designed to be used with ordinary electronic equipment or devices, and not designed to be used with equipment or devices which require high level of reliability and the malfunction of which would directly endanger human life (such as medical instruments, transportation equipment, aerospace machinery, nuclear-reactor controllers, fuel controllers and other safety devices), Yangjie or anyone on its behalf, assumes no responsibility or liability for any damages resulting from such improper use of sale.

This publication supersedes & replaces all information previously supplied. For additional information, please visit our website <http://www.21yangjie.com> , or consult your nearest Yangjie's sales office for further assistance.