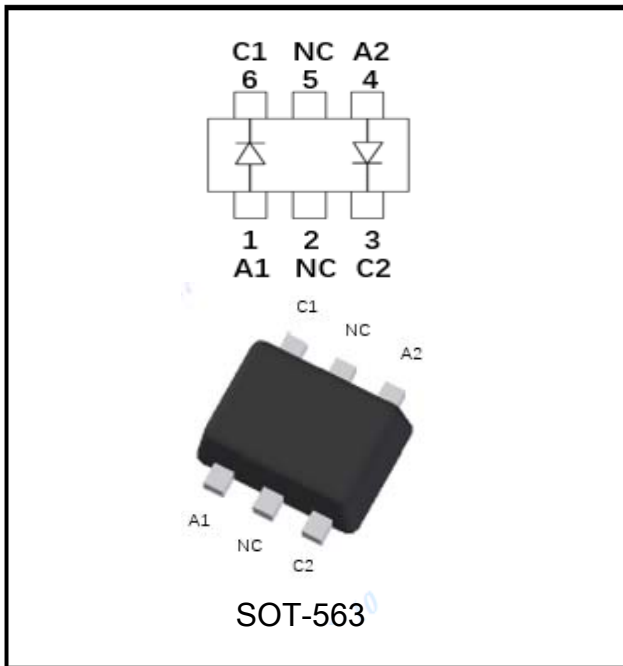


Schottky Barrier Diode



Features

- Moisture Sensitivity Level 1
- Low Forward Voltage
- Surface Mount device

Mechanical Data

- **Package:** SOT-563
- **Terminals:** Tin plated leads, solderable per J-STD-002 and JESD22-B102
- **Marking:** KAV
- **Solid point:** A1 positioning point

■Maximum Ratings (Ta=25°C Unless otherwise specified)

Item	Symbol	Unit	Value
Continuous Reverse Voltage	V_R	V	30
Forward Continuous Current	I_F	mA	200
Non-Repetitive Peak Forward Surge Current @ t=8.3ms	I_{FSM}	A	0.6
Total Power Dissipation @ TA=25°C	P_D	mW	150
Thermal Resistance, Junction to Ambient	$R_{\theta JA}$	°C/W	667
Operation Junction Temperature	T_J	°C	-55 to +125
Storage Temperature	T_{STG}	°C	-55 to +125

■Electrical Characteristics (Ta=25°C unless otherwise specified)

Item	Symbol	Unit	Conditions	Value
Maximum Instantaneous Forward Voltage	V_F	V	$I_{FM}=0.1mA$	0.24
			$I_{FM}=1mA$	0.32
			$I_{FM}=10mA$	0.4
			$I_{FM}=30mA$	0.5
			$I_{FM}=100mA$	1
Maximum DC Reverse Current	I_R	uA	$V_R=25V$	2
Typical Junction Capacitance	C_J	pF	f=1.0MHz, $V_R=1.0V$	10
Maximum Reverse Recovery Time	T_{rr}	ns	$I_F=I_R=10mA, I_{rr}=0.1I_R, R_L=100\Omega$	5

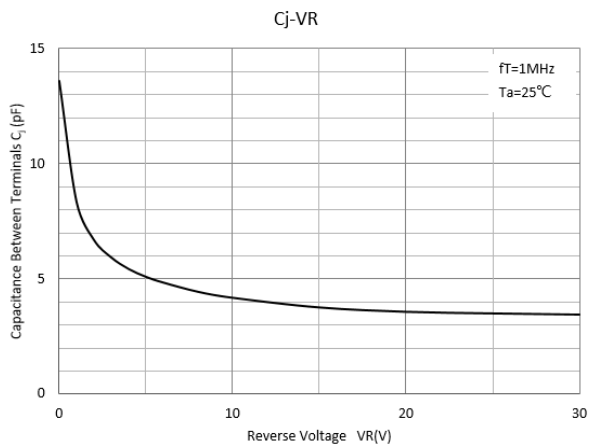
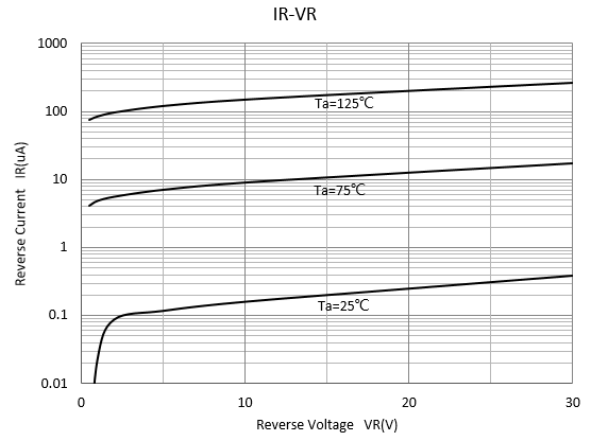
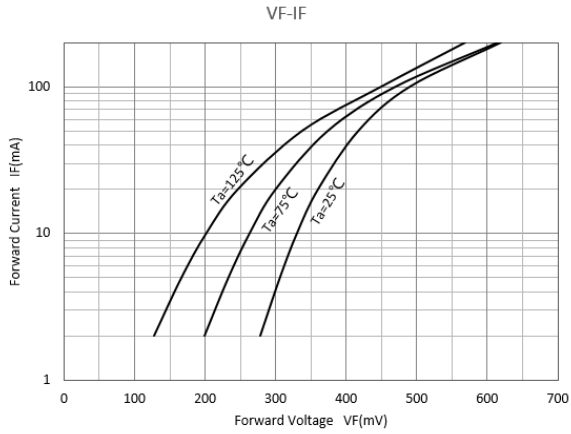


BAT54V

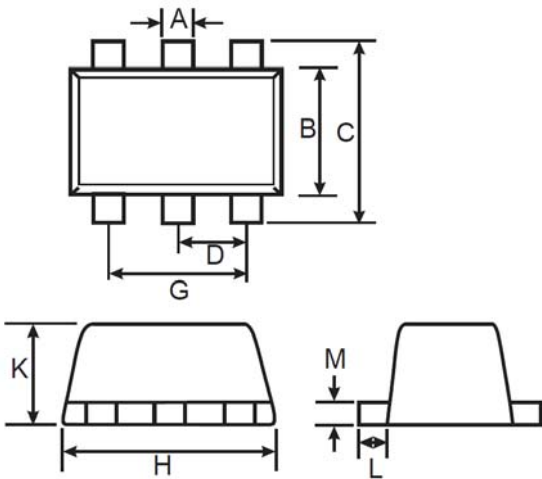
Ordering Information (Example)

Prefered P/N	Packing Code	Unit Weight(G)	Minimum Package(Pcs)	Inner Box Quantity(Pcs)	Outer Carton Quantity(Pcs)	Delivery Mode
BAT54V	F2	Approximate 0.0035	3000	30000	120000	7" reel

Characteristics (Typical)

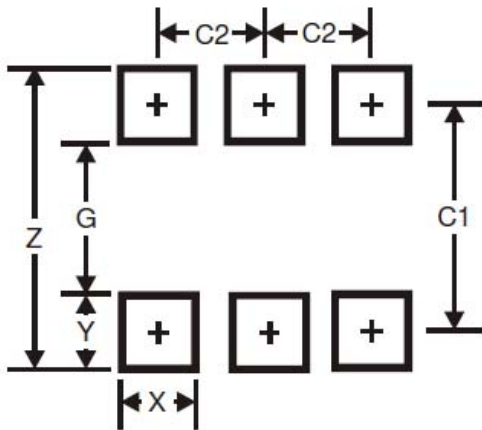


■ SOT-563 Package Outline Dimensions



DIM	DIMENSIONS			
	INCHES		MM	
	MIN	MAX	MIN	MAX
A	0.006	0.011	0.15	0.30
B	0.043	0.051	1.10	1.30
C	0.059	0.067	1.50	1.70
D	0.016	0.024	0.40	0.60
G	0.035	0.043	0.90	1.10
H	0.059	0.067	1.50	1.70
K	0.020	0.023	0.52	0.60
L	0.004	0.011	0.10	0.30
M	0.004	0.007	0.10	0.18

■ SOT-563 Suggested Pad Layout



Dimensions	Value (in mm)
Z	2.2
G	1.2
X	0.375
Y	0.5
C1	1.7
C2	0.5



BAT54V

Disclaimer

The information presented in this document is for reference only. Yangzhou Yangjie Electronic Technology Co., Ltd. reserves the right to make changes without notice for the specification of the products displayed herein to improve reliability, function or design or otherwise.

The product listed herein is designed to be used with ordinary electronic equipment or devices, and not designed to be used with equipment or devices which require high level of reliability and the malfunction of which would directly endanger human life (such as medical instruments, transportation equipment, aerospace machinery, nuclear-reactor controllers, fuel controllers and other safety devices), Yangjie or anyone on its behalf, assumes no responsibility or liability for any damages resulting from such improper use of sale.

This publication supersedes & replaces all information previously supplied. For additional information, please visit our website [http:// www.21yangjie.com](http://www.21yangjie.com) , or consult your nearest Yangjie's sales office for further assistance.